



TWISTED THROTTLE.COM

Bolt-On Touring Accessories that fit YOUR motorcycle!

Quick Release Adapter Pelican Storm

PEL.00.800.50000.B Rev: 00

Mounting Instructions

TWISTED THROTTLE products should be installed by a qualified, experienced motorcycle technician. If you are unsure of your ability to properly install a product, please have the product installed by your local motorcycle dealer. TWISTED THROTTLE takes no responsibility for damages caused by improper installation.

All screws, bolts, and nuts, including all replacement hardware provided by TWISTED THROTTLE should be tightened to the torque specified in the OEM maintenance manual for your motorcycle. If no torque specifications are provided in the OEM maintenance manual, the following torques may be used:

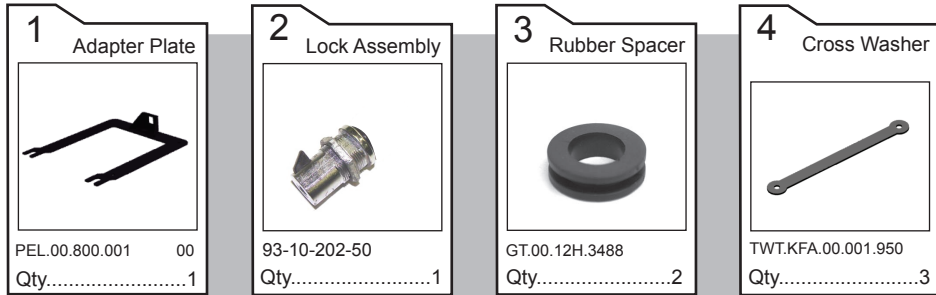
M6.....7 ft-lbs (9.6 Nm)

All screws, bolts, and nuts should be checked after driving the first 30 miles (50 km) to ensure that all are tightened to the proper torque.

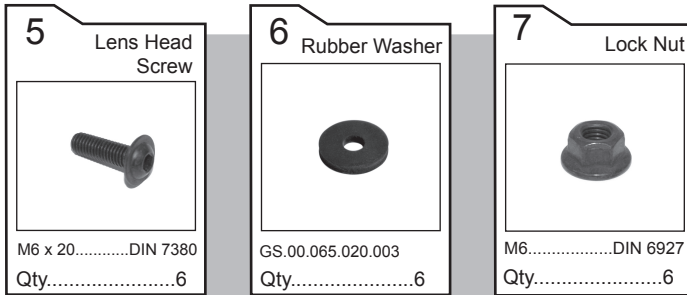
Medium strength liquid thread-locker (i.e., "Loctite") should be used to secure all screws, bolts, and nuts.

Twisted Throttle LLC
570 Nooseneck Hill Road
Exeter, RI 02822

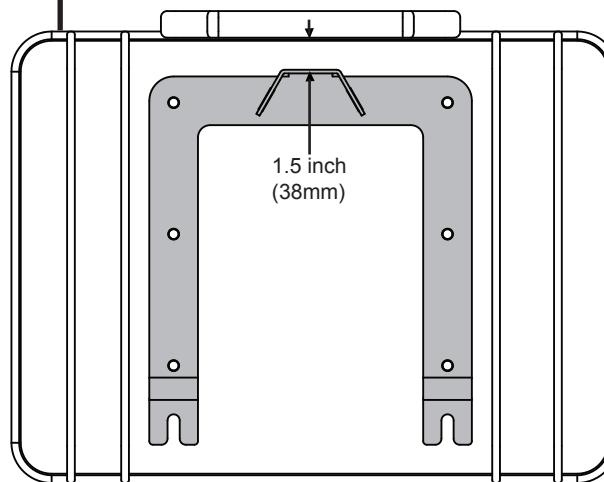
phone: 401.284.4200
fax: 401.223.6955
www.twistedthrottle.com



The lock assembly is packaged separately, it will be located in the package from your shipment.



Mounting the Quick Release Adapter to your Case



Where you position the adapter plate on the case will affect where the case sits on your motorcycle.

We recommend positioning the adapter plate 1.5 inches below the top surface of the case centered from left to right.

Use a ¼ inch (6mm) drill bit to drill your case. Place the adapter plate in the desired location on the case.

Drill directly through the holes in the adapter plate to ensure correct hole positions.