



Auxiliary Light Mounting Brackets

Select BMW Models (OEM Light Mount Adapter)
LAH.07.11000

Thank you for choosing DENALI

We know you would rather be riding your bike than wrenching on it, so we go the extra mile to make sure our instructions are clear and as easy to understand as possible. If you have any questions, comments, or suggestions don't hesitate to give our gear experts a call at 401.360.2550 or visit WWW.DENALIELECTRONICS.COM

Please Read Before Installing

DENALI products should always be installed by a qualified motorcycle technician. If you are unsure of your ability to properly install a product, please have the product installed by your local motorcycle dealer. DENALI takes no responsibility for damages caused by improper installation. **Caution:** When installing electronics it is extremely important to pay close attention to how wires are routed, especially when mounting products to the front fender, front forks, or fairing of your motorcycle. Always be sure to turn the handlebars fully left, fully right, and fully compress the suspension to ensure the wires will not bind and have enough slack for your motorcycle to operate properly.

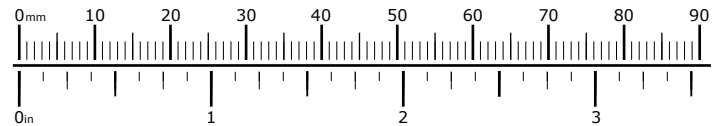
Installation Tips

We strongly recommend using medium strength liquid thread locker on all screws, nuts, and bolts. It is also important to ensure that all hardware is tightened to the proper torque specifications as listed in your owner's manual. For included accessory hardware please refer to the default torque specifications provided below. Inspect all hardware after the first 30 miles to ensure proper torque specifications are maintained.

Bolt Size	in-lbs	ft-lbs	Nm
M3	10.0 in-lbs	-	1.0 Nm
M4	23.0 in-lbs	-	2.5 Nm
M5	44.5 in-lbs	3.5 ft-lbs	5.0 Nm
M6	78.0 in-lbs	6.5 ft-lbs	9.0 Nm
M8	-	13.5 ft-lbs	18.0 Nm
M10	-	30.0 ft-lbs	41.0 Nm
M12	-	52.0 ft-lbs	71.0 Nm

Hardware Sizing Guide

Not sure what size bolt you have? Use this ruler to measure screws, bolts, spacers, etc. Remember, the length of a screw or bolt is measured from the start of the "mounting surface" to the end of the screw, so only include the screw head when measuring countersunk screws.



What's In The Box?

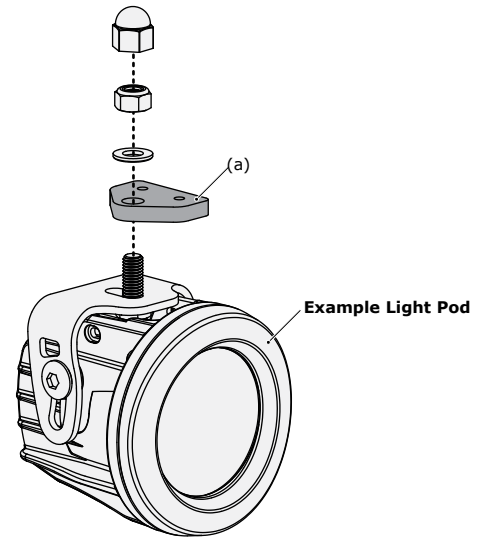
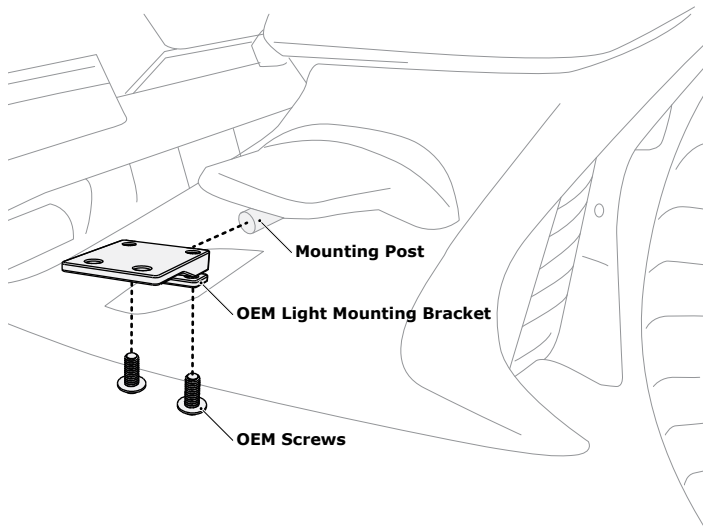


Kit Contents

- (a) OEM Light Mount Adapter.....Qty 2
- (b) M6x14 ISO 7380.....Qty 4

Tools Required: 13mm Wrench, 10mm Wrench, 4mm Allen Key, T25 Torx Driver

1. Light Mount Adapter Installation



1.1 - Removing The OEM Light Mount

Step One: Use a T25 Torx tool to loosen the two OEM Screws located on the underside of the OEM Light Mounting Bracket until the bracket rotates freely on the Mounting Post.

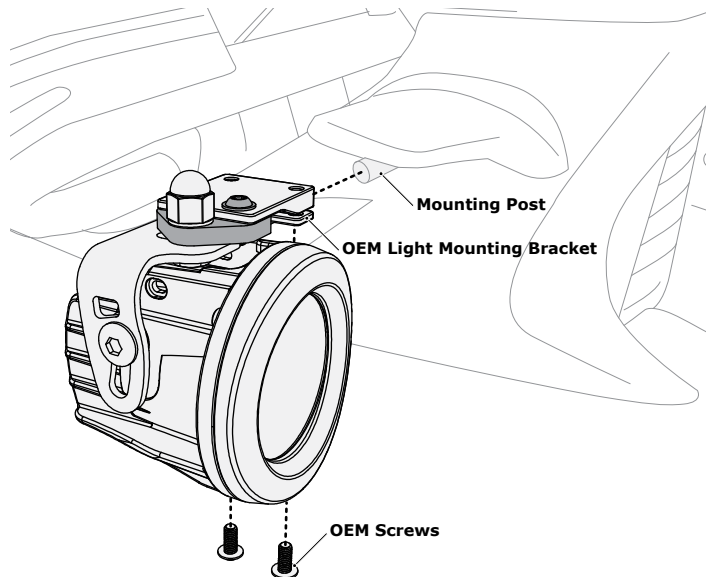
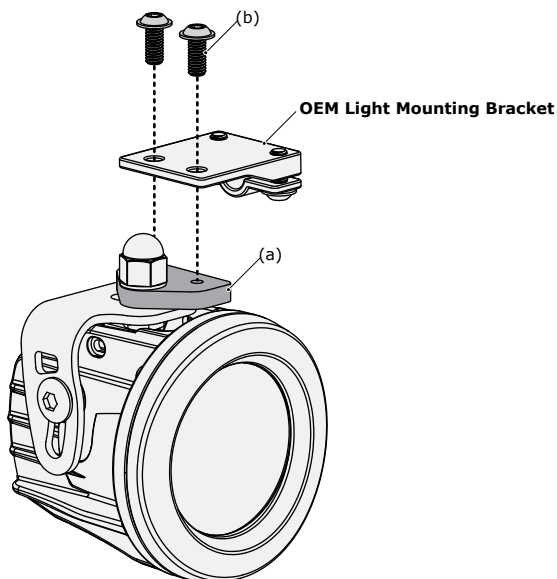
Step Two: Slide the OEM Light Mounting Bracket off of the Mounting Post.

Step Three: Remove the OEM Light Pod from the OEM Light Mounting Bracket.

Note: (OEM Light Pod Not Illustrated)

1.2 - Attaching The Light Pod

Step One: Use a 13mm Wrench and the hardware that was supplied with the light pod to attach the OEM Light Mount Adapter (a) to the light pod.



2.1 - Attaching The Light Mount Adapter

Step One: Use a 4mm Allen key and two M6x14 screws (b) to attach the OEM Light Mounting Bracket to the OEM Light Mount Adapter (a).

2.2 - Installing the Light Pod

Step One: Slide the OEM Light Mounting Bracket back onto the Mounting Post.

Step Two: Use T25 Torx tool to tighten the two OEM Screws on the underside of the OEM Light Mounting Bracket until the bracket no longer rotates on the Mounting Post.