



Interactive Dealer Display Single Light Display

Thank you for choosing DENALI

We know you would rather be riding your bike than wrenching on it, so we go the extra mile to make sure our instructions are clear and as easy to understand as possible. If you have any questions, comments, or suggestions don't hesitate to give our gear experts a call at 401.360.2550 or visit WWW.DENALIELECTRONICS.COM

Please Read Before Installing

DENALI products should always be installed by a qualified motorcycle technician. If you are unsure of your ability to properly install a product, please have the product installed by your local motorcycle dealer. DENALI takes no responsibility for damages caused by improper installation. **Caution:** When installing electronics it is extremely important to pay close attention to how wires are routed, especially when mounting products to the front fender, front forks, or fairing of your motorcycle. Always be sure to turn the handlebars fully left, fully right, and fully compress the suspension to ensure the wires will not bind and have enough slack for your motorcycle to operate properly.

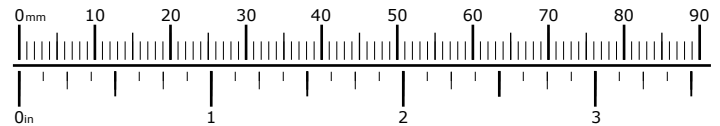
Installation Tips

We strongly recommend using medium strength liquid thread locker on all screws, nuts, and bolts. It is also important to ensure that all hardware is tightened to the proper torque specifications as listed in your owner's manual. For included accessory hardware please refer to the default torque specifications provided below. Inspect all hardware after the first 30 miles to ensure proper torque specifications are maintained.

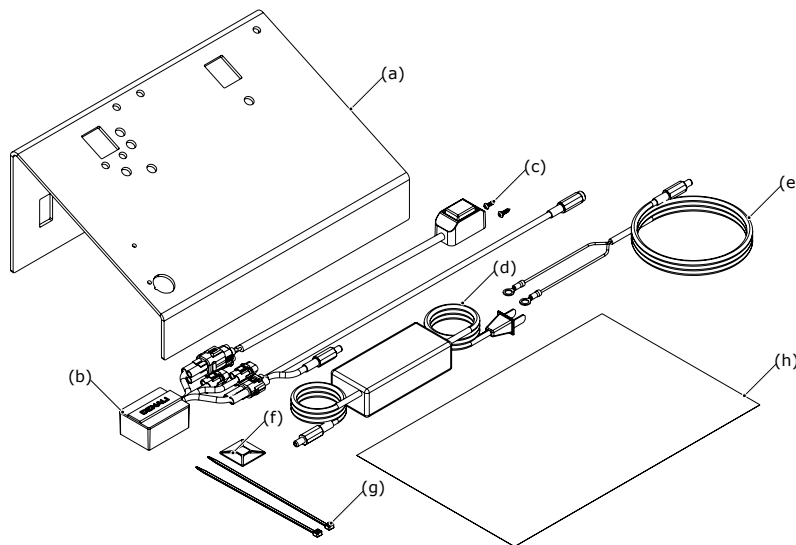
Bolt Size	in-lbs	ft-lbs	Nm
M3	10.0 in-lbs	-	1.0 Nm
M4	23.0 in-lbs	-	2.5 Nm
M5	44.5 in-lbs	3.5 ft-lbs	5.0 Nm
M6	78.0 in-lbs	6.5 ft-lbs	9.0 Nm
M8	-	13.5 ft-lbs	18.0 Nm
M10	-	30.0 ft-lbs	41.0 Nm
M12	-	52.0 ft-lbs	71.0 Nm

Hardware Sizing Guide

Not sure what size bolt you have? Use this ruler to measure screws, bolts, spacers, etc. Remember, the length of a screw or bolt is measured from the start of the "mounting surface" to the end of the screw, so only include the screw head when measuring countersunk screws.



What's In The Box?



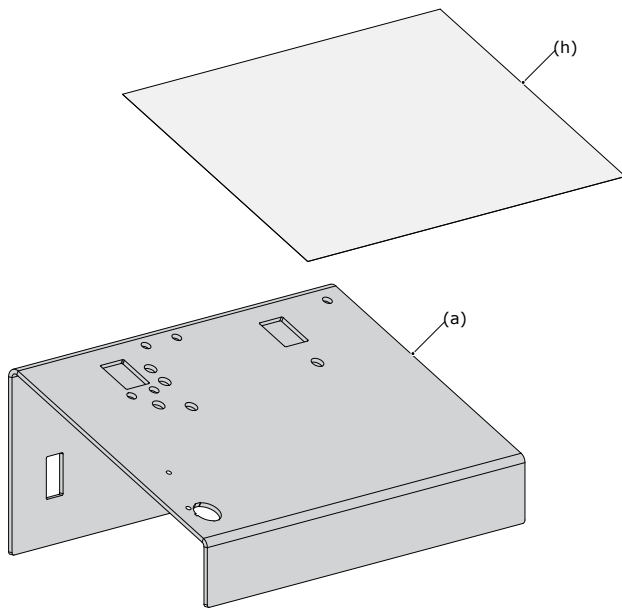
Kit Contents

- (a) Sheet Metal Base.....Qty 1
- (b) Display Wiring Harness.....Qty 1
- (c) Self Tapping Screw.....Qty 2
- (d) Power Supply.....Qty 1
- (e) Battery Power Wiring Adapter.....Qty 1
- (f) Adhesive Zip Tie Anchor.....Qty 1
- (g) Zip Tie.....Qty 2

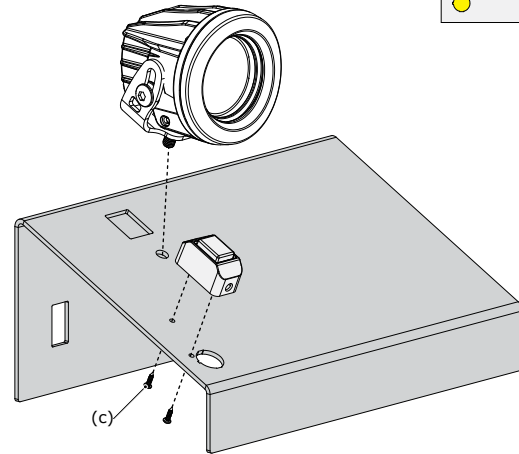
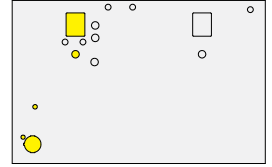
- (h) Decal.....Qty 1

Tools Required: 13mm Wrench, Phillips Head Screwdriver, Razor Blade, Rubbing Alcohol

1. Assembling The Display



Cut Out From Decal



1.1 - Applying The Decal

Step One: Prepare the top surface of the sheet metal base (a) using rubbing alcohol. Allow to dry completely.

Step Two: Peel and remove the backing from the decal (h)

Step Three: Beginning with one edge, apply the decal (h) to the sheet metal base (a), slowly working your way across the surface to push out any air bubbles.

1.2 - Mounting The Light Pod & Switch

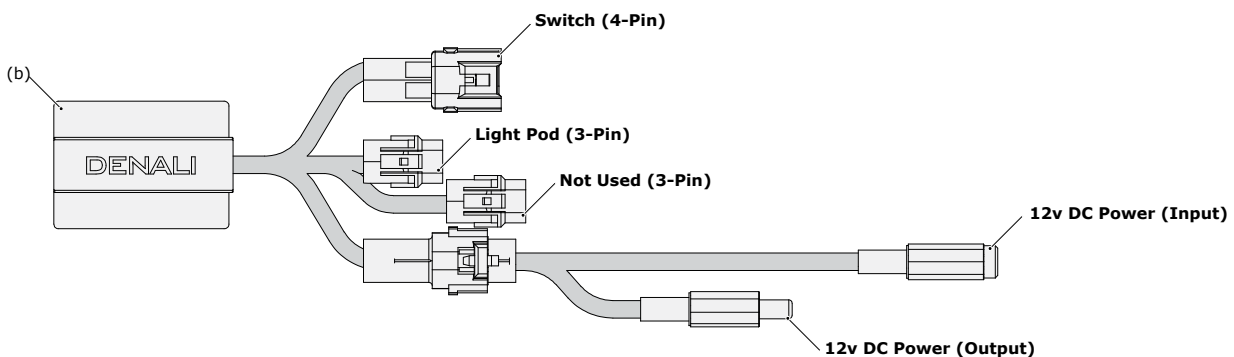
Step One: Use a razor blade to cut out only the mounting holes highlighted yellow from the decal.

Step Two: Use a 13mm wrench to attach the light pod (NOT INCLUDED) to the display base (a).

Step Three: Disconnect the switch from the wiring harness (b).

Step Four: Use a screw driver and the included self tapping screws (c) to secure the switch to the display base (a).

2. Wiring The Display



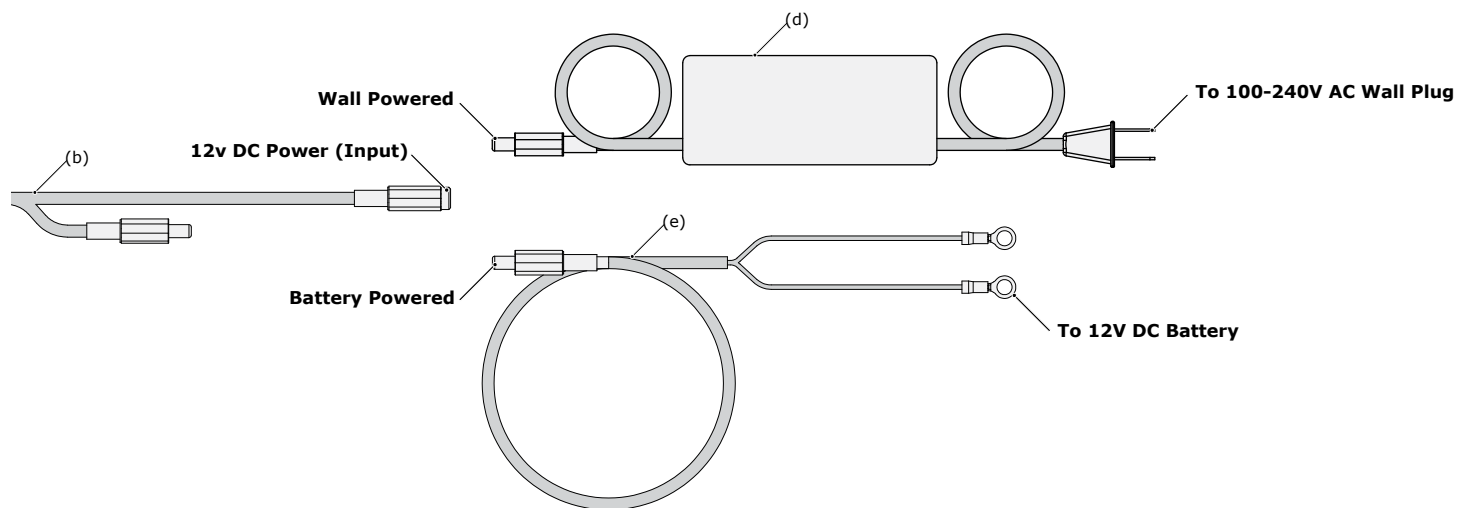
2.1 - Connecting The Light Pod

Step One: Pass the pod connector and cable through the square hole behind the pod. Then connect the pod to its mating connector on the Display Wiring Harness (b).

2.2 - Connecting The Switch

Step One: Pass the switch connector and cable through the large hole in front of the switch. Then connect the switch to its mating connector on the Display Wiring Harness (b).

Step Two: Once both connections have been made, use the included zip ties (g) and adhesive zip tie anchor (f) to neatly conceal the wiring to the underside of the sheet metal display base (a).



3.1 - Wall Powered

The DENALI 2.0 Interactive Dealer display can be plugged directly into an 100v-240v outlet, or by using the included battery power wiring adapter, the display can be powered from a standard motorcycle battery, perfect for those remote events where power isn't available.

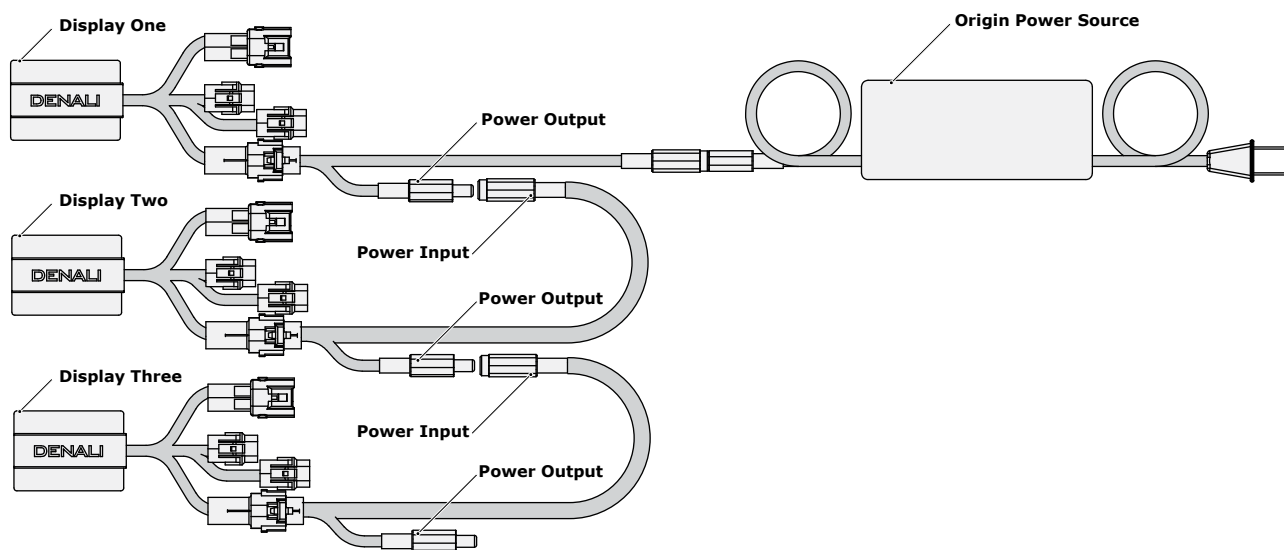
Step One: Plug the power supply (d) into the display harness (b) "power input" barrel connector.

Step Two: Plug the power supply (d) into a standard wall outlet.

3.2 - Battery Powered

Step One: Plug the battery power adapter (e) into the display harness (b) "power input" barrel connector.

Step Two: Connect the battery power adapter (e) to a standard automotive battery via the ring terminals.



3.3 - Daisy Chaining Display Power

If there are multiple displays set up in one location it is possible to power all the displays from a singular power supply or battery power source.

Step One: Connect the first display in the series to battery or wall power.

Step Two: Connect the "Power Output" of the first displays wiring harness to the "Power Input" of the second displays wiring harness. Continue this method until all displays have been connected together.

Note: The power supply has a maximum output of 10 Amps.